

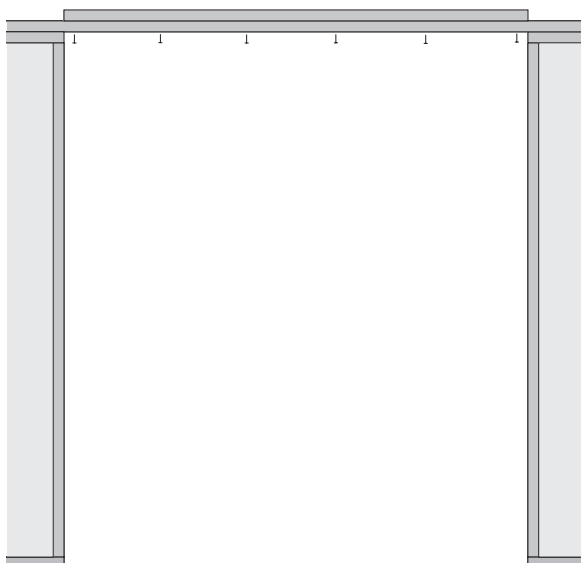
64" Roll-Up Door

An easy and attractive way to provide secure and convenient storage for large equipment and recreational vehicles

1-800-437-0784

Manufactured for Marco Wood Products

PARTS LIST		
Part	Qty.	Description
(UM)	2	2"x4"x68"
(SL)	4	2"x4"x36"
(YI)	1	1"x4"x64"
(YK)	2	1"x4"x70"
(A)	2	7/16"x3-1/2"x36"
(B)	1	Threshold



1. PREPARING THE DOOR FRAME

Certain buildings will require you to modify the door frame prior to door installation, double check the series of building:

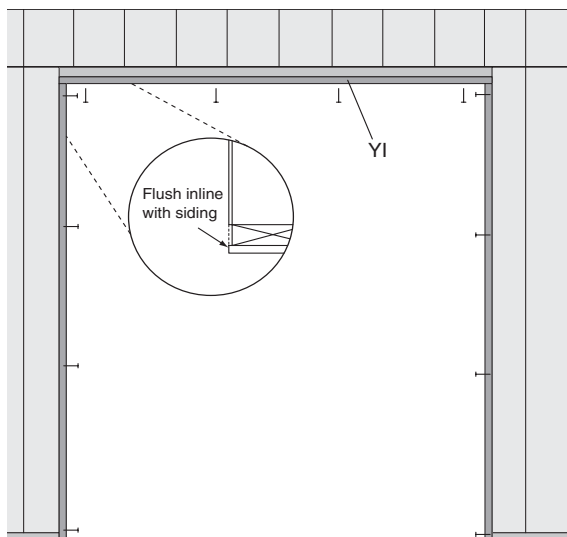
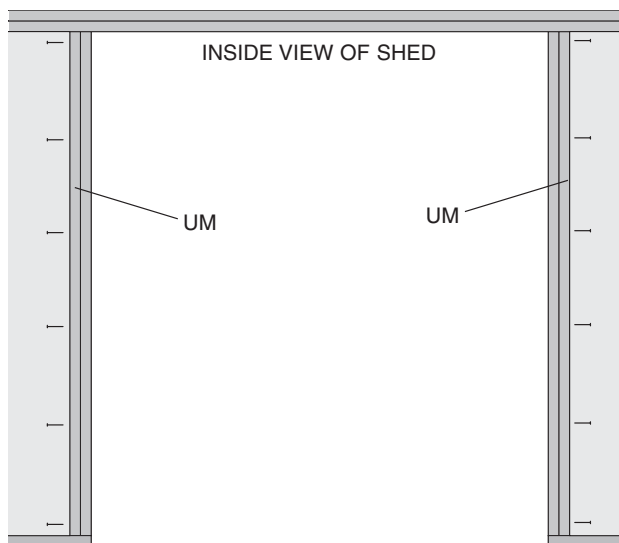
Signature Series: Proceed to step 2 and begin

Heritage Series: Remove the wall top plate and re-attach on top of the doubler as shown. Make sure to center above the door. Fasten from underneath using (6) 2-1/2" screws.

2. INSTALLING JACK STUDS

Mount pieces UM as shown.

Secure to framing with (6) 3" box nails as shown.



3. MOUNTING INSIDE TRIM

To mount inside trim, mount the horizontal trim YI first. Secure to the header in line with the front of the siding using (8) 2" Finish Nails.

Next, un hinge and remove the trim from the swing doors provided in the building kit. Secure these to the vertical framing in line with the front of the siding using (8) 2" Finish Nails per piece, be sure to orientate them so the edges with screw holes will be covered by the front trim.

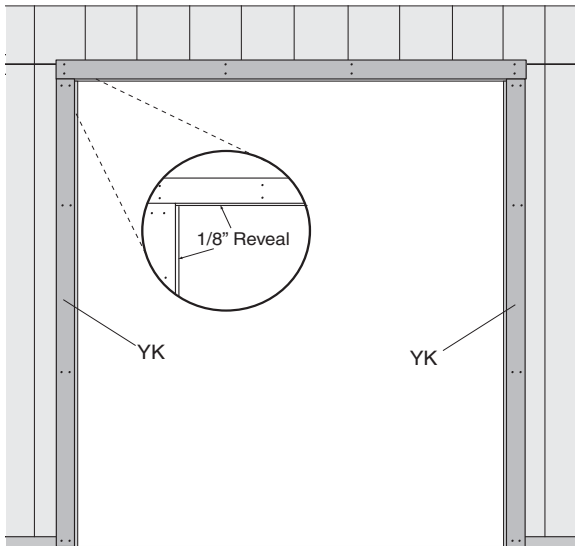
64" Roll-Up Door

1-800-437-0784

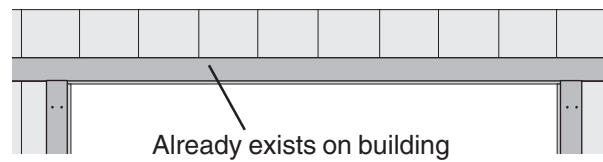
An easy and attractive way to provide secure and convenient storage for large equipment and recreational vehicles

Manufactured for Marco Wood Products

Signature Series Outside Trim



Heritage Series Outside Trim



3. MOUNTING OUTSIDE TRIM

To mount outside trim, mount the top horizontal trim piece first, typically part WN in the building kit. Secure to the building using (8) 2" Finish Nails and leaving a 1/8" reveal.

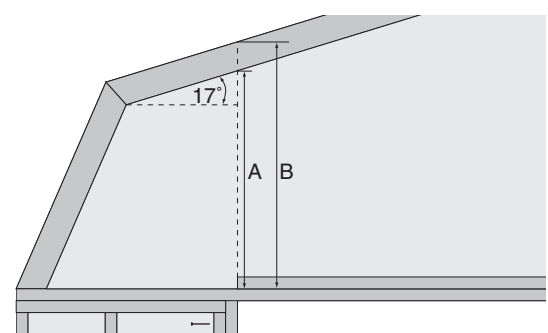
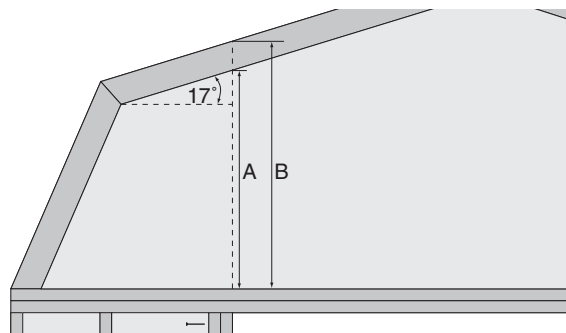
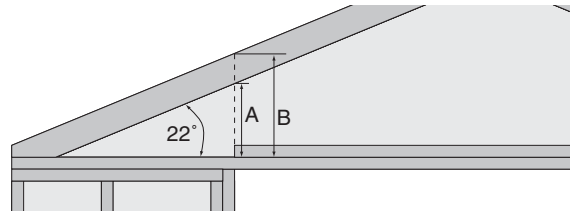
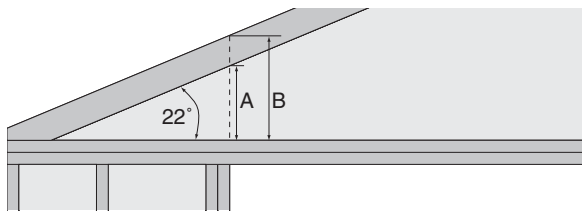
Next, mount outside vertical pieces WK. Secure these to the building using (8) 2" Finish Nails per piece and leaving a 1/8" reveal.

3. MEASURING TRACK MOUNTING BLOCKS

The mounting block will be mounted in-line on top of the doubler, in line with the door framing as represented by the dotted line. To cut the pieces needed, select your roof style and complete the following steps:

Step 1 is to take measurement A and cut (2) pieces of 2"x4"x36" to that length and angle shown.

Step 2 is to take measurement B and cut (2) pieces of 2"x4"x36" and (2) pieces of 7/16"x3-1/2"x36" OSB to that length and angle shown.



64" Roll-Up Door

1-800-437-0784

An easy and attractive way to provide secure and convenient storage for large equipment and recreational vehicles

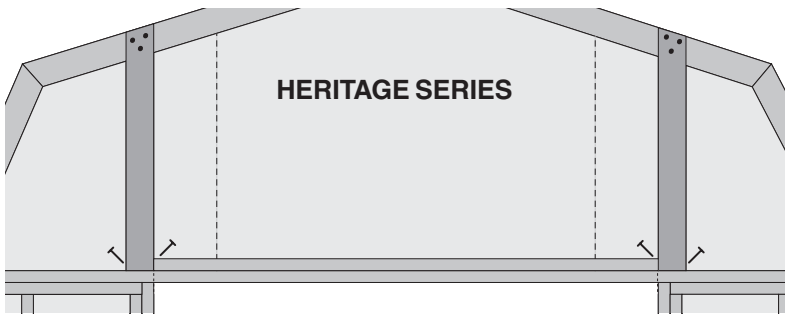
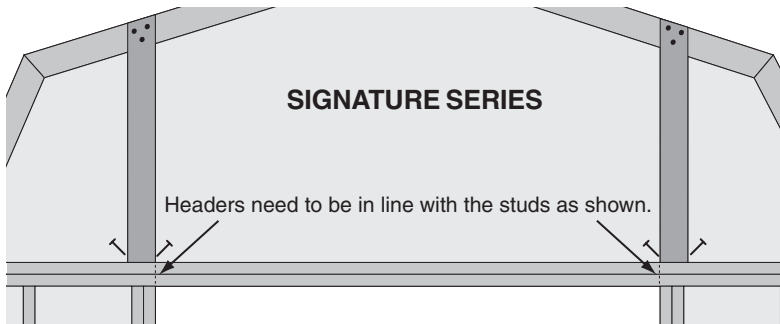
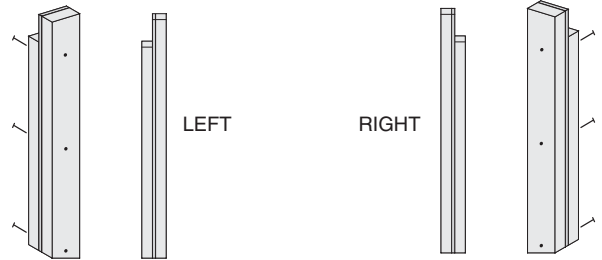
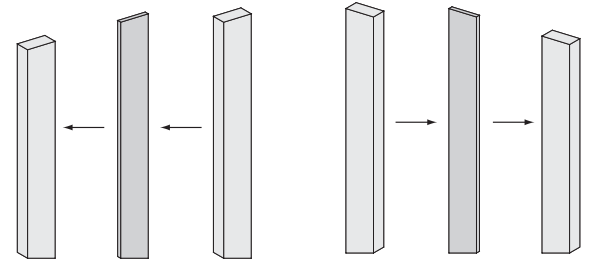
Manufactured for Marco Wood Products

4. ASSEMBLING TRACK MOUNTING BLOCKS

To assemble track mounting blocks place all three pieces together as shown. Make sure all three pieces are flush at the bottom and flush on the sides.

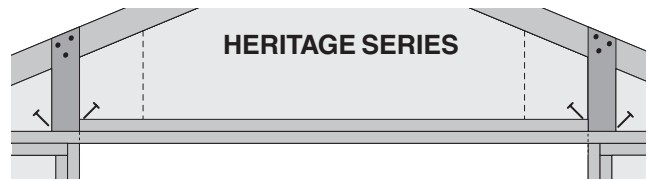
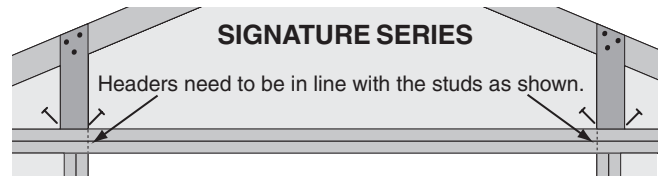
BEFORE FASTENING TOGETHER MAKE SURE YOU ARE CREATING 1 FOR THE LEFT SIDE AND 1 FOR THE RIGHT!

Using (6) 3" Box Nails per block fasten together as shown. Finished product will appear as shown



5. MOUNTING TRACK MOUNTING BLOCKS

To mount track blocks insert the blocks above the doubler as shown and make sure they are inline with the door framing. Secure in place by toe nailing the bottom using (2) 3" Box Nails per piece and securing the top as shown using (3) 3" Box Nails as shown.



6. MOUNTING THRESHOLD

To mount the threshold, cut to the proper length, center between the doors and secure with (8) 3/4" screws.

